

650DB

Style and function are at the heart of the Firebox 650DB Fireplace Insert. Cleverly designed with versatility and space in mind, the square-shaped Firebox 650DB has a double opening, with a 'see-through' effect, creating a sense of space within any interior. A toughened glass Wind Screen Static is affixed to the front of the 650DB.

With its toughened glass rear panel and front Wind Screen Static, the zero clearance Firebox 650DB is ideal for customised settings within houses, apartments, units and commercial premises such as offices, bars and restaurants. As with all models within the Renovator Range, ease of installation is a highlight.

External Dimensions H 833mm W 750mm D 427mm
H 32.8in W 29.5in D 16.8in

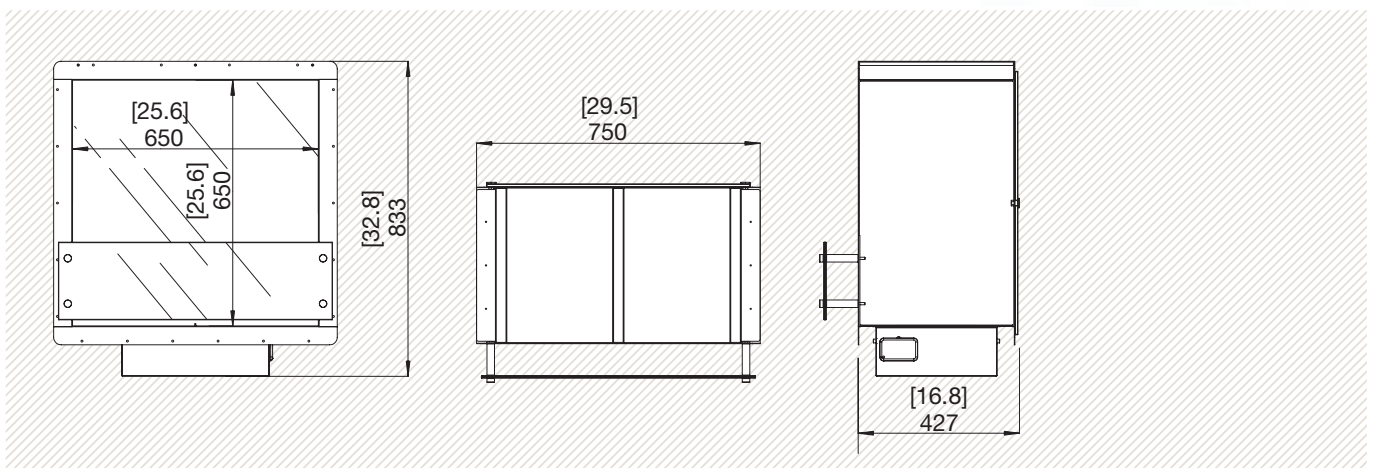
Internal Dimensions H 650mm W 650mm D 427mm
H 25.6in W 25.6in D 16.8in

Weight 28.2kgs, 62.2lbs

Materials Brushed Stainless Steel,
Toughened Glass

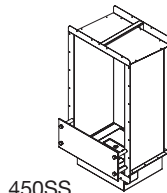
Application Indoor & Outdoor

Compatible Burners BK Series

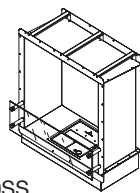


Clearances & Installation

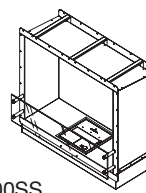
SINGLE SIDED



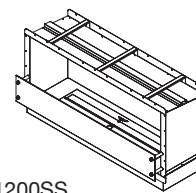
450SS
27.1kgs, 59.9lbs



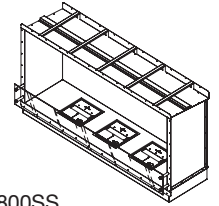
650SS
28.2kgs, 62.2lbs



900SS
31.7kgs, 69.8lbs

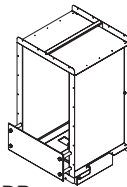


1200SS
50kgs, 111.4lbs

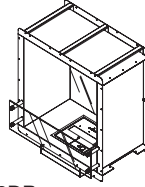


1800SS
77.5kgs, 170.9lbs

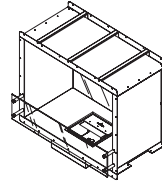
DOUBLE SIDED



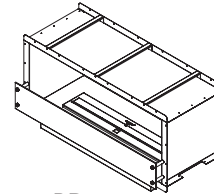
450DB
38.7kgs, 85.3lbs



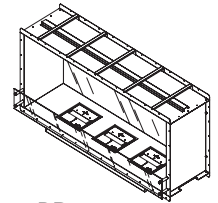
650DB
28.2kgs, 62.2lbs



900DB
46.5kgs, 102.5lbs



1200DB
66.4kgs, 146.3lbs



1800DB
98.6kgs, 217.3lbs

RENOVATOR RANGE CLEARANCES

There are no requirements for side and/or overhead clearances as spacers are part of the design.

The firebox cavity should include a layer of insulation prior to inserting the firebox using a rock wool or fiberglass insulation fibre to limit heat transference. Missing heat insulation can cause overheating which may result in damages to the material surrounding the firebox.

However, BURNERS HAVE BUILT-IN SPACERS ON ALL EXTERNAL SIDES. DO NOT PACK REQUIRED AIR SPACES, THE SPACE BETWEEN THE FIREBOX AND THE SPACER, WITH INSULATION OR OTHER MATERIALS.

Ensure that the mouth of the flame is positioned a minimum of 1500mm [59.1in] away from curtains, flammable materials and other sources of ignition.

RENOVATOR RANGE INSTALLATION

The Renovator Range of zero clearance fireplace inserts (fireboxes) are designed for installation into a wall or cavity made from combustible or non-combustible materials. They are engineered specifically to accept EcoSmart™ Fire Burners.

Fireboxes must be installed into a fixed secure position before being operated. They can be fitted from either the front side of the flange or from the back of the flange (screwed, riveted or glued with a high temperature resistant bonding product) onto the surrounding structural framework.

The floor must be level and the firebox positioned on a flat surface. The floor can be made of any material or fabric.

NOTICE: DO NOT INSTALL DIRECTLY BESIDE OR NEAR WALLPAPER, LAMINATE, VENEER OR ANY SURFACE THAT HAS NOT BEEN FIRE RATED (the heat will impact the material, and in some circumstances the glue used for its application). THIS INCLUDES THE DETAILING/FINISHING MATERIALS USED ON THE DECORATIVE SURFACES AROUND THE INSTALLED FIREBOX. REFER TO PRODUCT SPECIFICATION OF WALLPAPER, LAMINATE, VENEER OR GLUE FOR HEAT TOLERANCES.

Fireboxes are not designed to incorporate doors or opening covers (unless specifically purchased as a resolved item from The Fire Company Pty Ltd).

The firebox must remain open at all times for ventilation – it is not designed to operate as an oven or similar “hot box” – the flame must have a constant supply of air to operate and be able to circulate and distribute the heat effectively.

DOUBLE SIDED FIREBOX INSERTS

Double sided fireboxes cannot be inserted into a one way cavity wall, it must be a two way cavity where the complete glass rear is free from obstruction. Do not apply pressure or materials to the glass. Double sided fireboxes are designed as wall divider inserts. The glass side is the back in all circumstances. If you do not comply with this installation instruction the wall could overheat and catch fire.

WARNING: Fire hazard. Install double-sided firebox only into a cavity open on both sides of the wall. Installing into closed cavity can cause overheating and fire.

WARNING: Fire hazard. Do not remove the rear glass panel. Air flow could push flames out the front or rear of the fireplace. The glass used in the EcoSmart™ Fire Firebox is toughened glass which means it is stronger than normal glass and can withstand high temperature variations. Importantly, even though it is stronger, toughened glass still has weaknesses. The corners and sides are specific pressure points where it is more fragile and can break if care is not taken.

NOTICE: Handle glass with care. If glass is cracked or damaged, do not use range until glass is replaced.

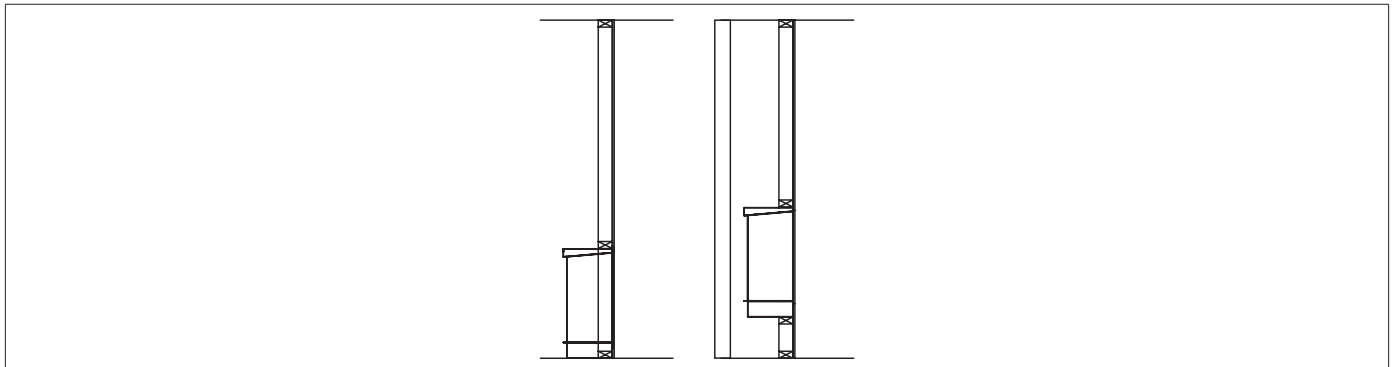
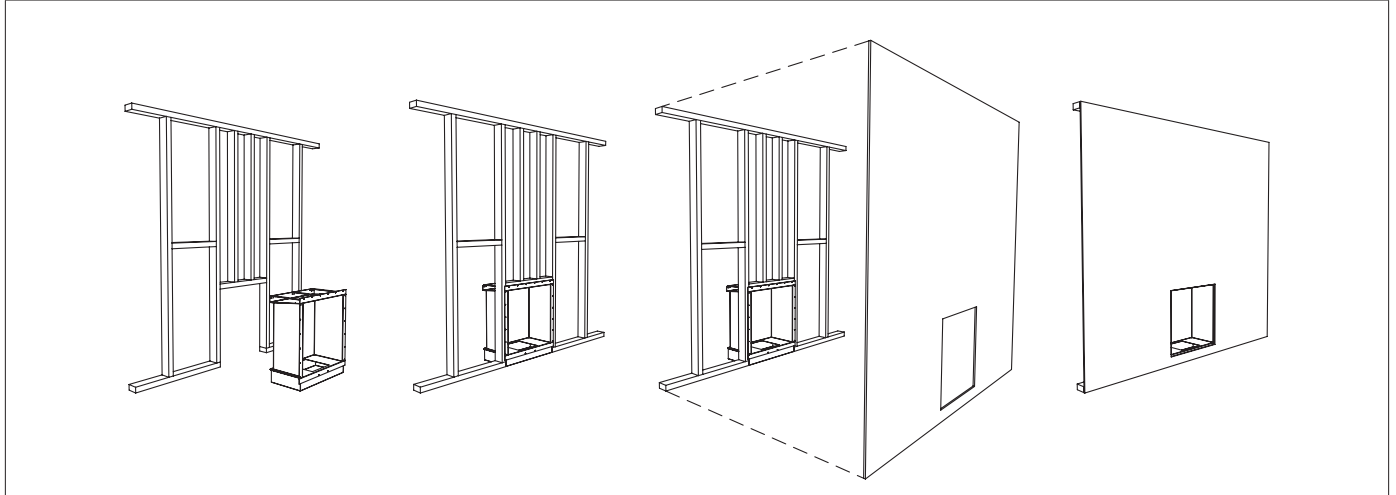
In the case of breakage, toughened glass will shatter into small crystal-like pieces which can cause potential injury and be a choking hazard for small children. We advise that the glass should be handled with special care and that operation of the product should cease immediately if a fault is found. Breakage due to mishandling is not covered by warranty.

The Fire Company Pty Ltd is not liable for any damages arising from incorrect installation.

Note: Stainless steel will rust or corrode over time if contamination or debris is not cleaned or removed immediately. When not in use it is recommended that you protect your fireplace from water damage or corrosion with a protective cover and always use the Burner Lid included with your model to protect the burner.

Clearances & Installation

Single Sided Firebox Inserts



Double Sided Firebox Inserts

